

INSTALLATION AND OPERATION MANUAL

GALAXY Traction tables TTET300, TTET400



Manufactured for DJO



**MEDEN - INMED Sp. z o.o.
2 WENEDÓW STREET
KOSZALIN 75-847
POLAND**

For service & repair:

For US product support please call 1-800-494-3395,
or visit djoglobal.com.

For international product support please contact your
local dealer, or your corresponding DJO Global site.

You may also contact us internationally at the below
email address:

internationalproductsupport@DJOglobal.com

CONTENT

1. INTRODUCTION	3
2. FEATURES OF GALAXY TRACTION TABLES	4
2.1. INTENDED USE	4
2.2. TECHNICAL DATA	4
2.3. GALAXY TRACTION TABLE TTET300 MODEL 3263 (T3.F0) AND 3264 (T3.F4)	5
2.4. GALAXY TRACTION TABLE TTET400	5
3. DESIGN AND FUNCTIONS	6
3.1. TABLE COMPONENTS	6
3.2. EQUIPMENT AND ADDITIONAL ACCESSORIES	7
3.3. TABLE SET	7
3.4. TRANSPORT AND STORAGE	7
4. GENERAL WARNINGS AND CAUTIONS	7
5. PREPARING THE UNIT FOR USE	8
6. OPERATING THE TABLE	10
6.1. LEVELING THE TABLE	10
6.2. HEIGHT ADJUSTMENT – RAISING (LOWERING) THE BED	10
6.3. ADJUSTMENT OF THE FRONT (REAR) SECTION INCLINATION/DECLINATION ANGLE	11
6.4. MOVABLE BED TOP SECTION SLIDING FUNCTION	11
6.5. ATTACHING AND REPLACING TRACTION UNIT STAND TO TABLE	12
6.6. ASSEMBLY OF TRACTION BELT	12
6.7. PLACEMENT OF TRACTION UNIT	13
6.8. MOVING THE TABLE	13
6.9. FLEXION STOOL	14
6.10. ACCESS LOCK	14
7. MAINTENANCE	15
7.1. CLEANING THE UPHOLSTERY	15
7.2. MAINTENANCE OF THE BASE AND MECHANICAL PARTS	16
7.3. CHECKING THE GAS SPRINGS	16
7.4. CHECKING THE ACTUATORS	16
7.5. PERIODIC CHECK OF ELECTRICAL SAFETY	16
8. TROUBLESHOOTING	17
9. ELECTROMAGNETIC COMPATIBILITY-GUIDANCE AND MANUFACTURER’S DECLARATION	18

1. INTRODUCTION

Congratulations on a perfect choice of our traction table. GALAXY TRACTION tables are stable, reliable and easy to use. These features result from careful design, manufacturing methods applied in production and the quality assurance system. Reading and following instructions provided in this manual will ensure safe and long lasting use of our tables.

GENERAL INSTRUCTIONS:

1. This product must be operated by personnel who have thoroughly read and understood all the precautionary and operating instructions put forth in this operation manual.
2. Using, operating or servicing of the product contrary to the rules and recommendations contained in this user manual is prohibited, as it may lead to damage for which the manufacturer shall not be liable.
3. If the performance or parameters of the product are found to be inconsistent with those described in the operation manual or any damage is noted, you must stop using the product and inform either your local DJO office or authorized dealer immediately.
4. Repair of the product must be done by the local DJO office or authorized dealer and registered on the repair list in the warranty card. Failure to do so will void the warranty.
5. Technical description of the table with a list of spare parts and how to replace them is available from the manufacturer on request.

This warranty will not be fulfilled if the product is used contrary to its purpose or fails to comply with the terms set in the user manual. The manufacturer shall not be liable for the consequences of improper (i.e. against the instructions put forth in this user manual) use of the accessories for the traction table.

CAUTION !



This sign denotes operations which - when performed in a way other than described in this manual - may worsen the safety conditions or cause hazard to the user and/or the operator of the device.



Such marking has been applied to the table GALAXY Traction where it is essential to read the contents of the Operator's Manual and follow the instructions for use of the table.



Applied part type B



Manufacturer



Compliance for both U.S. and Canadian markets



All electric and electronic devices marked with the symbol of crossed-out dustbin must be disposed-of properly at recycling facilities according to the European Union's WEEE directive or equivalent regulations. It is absolutely necessary that all devices which contain substances harmful to the environment or humans are recycled properly in relevant facilities and must not be disposed of with general or household waste. Such regulations ensure that the quantity of electronic waste is reduced and a required amount of electronic devices is recycled properly. Proper recycling of electronic waste is important as it may contain substances harmful to the environment and humans.

2. FEATURES OF GALAXY TRACTION TABLES

This manual describes the different execution of the GALAXY Traction table TTET300, TTET400, so not all of the information and drawings contained in it are related to your copy. The manufacturer reserves the right to make changes, not depicted in the current version of the manual, which will not cause degradation of functional and safety conditions of the product.

2.1. Intended Use

GALAXY Traction table TTET300, TTET400 is designed for performing the treatment of the spine traction in cooperation with the traction unit. Traction treatments are performed in order to increase spine efficiency by relaxing tense muscles and increasing space and intervertebral holes, which leads to a reduction of oppression and irritation of the nerve roots and improvement of circulation in the area of the vertebral artery.

2.2. Technical data

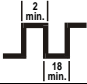


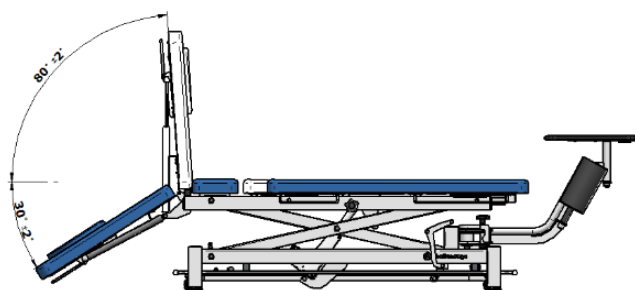
Technical data		GALAXY Traction TTET300 model 3263, 3264	GALAXY Traction TTET400
Table length	Head section	70 cm (27,6 in)	70 cm (27,6 in)
	Middle section	21 cm (8,3 in)	21 cm (8,3 in)
	Pelvic section	-	45 cm (17,7 in)
	Leg section	114,5 cm (45,1 in)	67 cm (26,4 in)
	Total	205,5 cm (leg section inserted) (80,9 in)	203 cm (leg section inserted) (79,9 in)
Angle adjustment inclination [degrees]	Head section	- 30:80	
		-	0:80
Displacement adjustment	Leg section	10 cm (3,9 in)	
Height adjustment	min	48 ±1 cm (18,9±0,4 in)	
	max	98 ±1 cm (38,6±0,4 in)	
Table width	All sections	70 cm (27,5 in)	
Duty cycle		discontinuous, short term load (10%) max. 2 minutes "on", min. 18 minutes "off"	
Lifting capacity		≤ 200 kg (440 lbs) (max safe load while adjusting height)	
Working capacity		≤ 275 kg (606 lbs) (max safe load while not adjusting height)	
Weight	Not more than	130 kg (287 lbs)	
Power and security requirements	Voltage frequency, current consumption	100-240 V; 50/60 Hz; 3-1,5 A	
	Protection class	I	
	Applied part	type B, 	
Protection level	Enclosure (control box)	IPX4	
environment conditions (temperature, relative humidity, air pressure)	work	+10°C up to +40°C, from 30% to 75% non-condensing, 700-1060 hPa	
	storage	+5°C up to +45°C, not exceeding 75% non-condensing, 700-1060 hPa	
	transport	-10°C up to +45°C, from 20% to 95% non-condensing, 700-1060 hPa	

Table 1 - Technical data of the GALAXY Traction table (Fx = type of bottom frame see p.3.1)

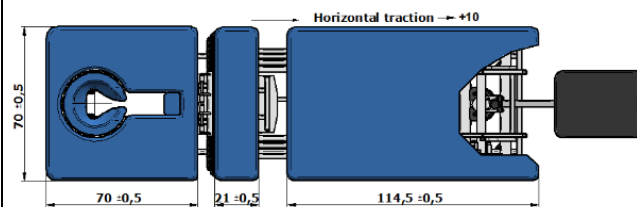


GALAXY Traction table with accessories is manufactured in accordance with the essential requirements for medical devices (Class I, rule 12) and carry a CE mark, according to the manufacturer's declaration.

2.3. Galaxy Traction table TTET300 model 3263 (T3.F0) and 3264 (T3.F4)



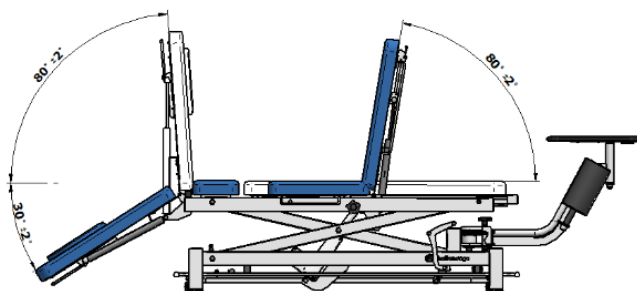
Head section inclination angle adjustment from: 0 to +80 deg.
Head section declination angle adjustment from 0 to -30 deg.



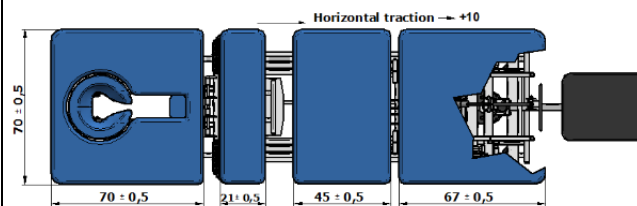
Length of the head section: 70 cm (27,6 in)
Length of the middle section: 21 cm (8,3 in)
Length of the leg section: 114,5 cm (45,1 in)
Table width: 70 cm (27,6 in)

Picture 1 –Inclination angle adjustment section, length of the sections

2.4. Galaxy Traction table TTET400



Head section inclination angle adjustment from: 0 to +80 deg.
Head section declination angle adjustment from 0 to -30 deg.



Length of the head section: 70 cm (27,6 in)
Length of the middle section: 21 cm (8,3 in)
Length of the pelvic section: 45 cm (17,7 in)
Length of the leg section: 67 cm (26,4 in)
Table width: 70 cm (27,6 in)

Picture 2 –Inclination angle adjustment section, length of the sections

3. DESIGN AND FUNCTIONS

3.1. Table components



CAUTION !

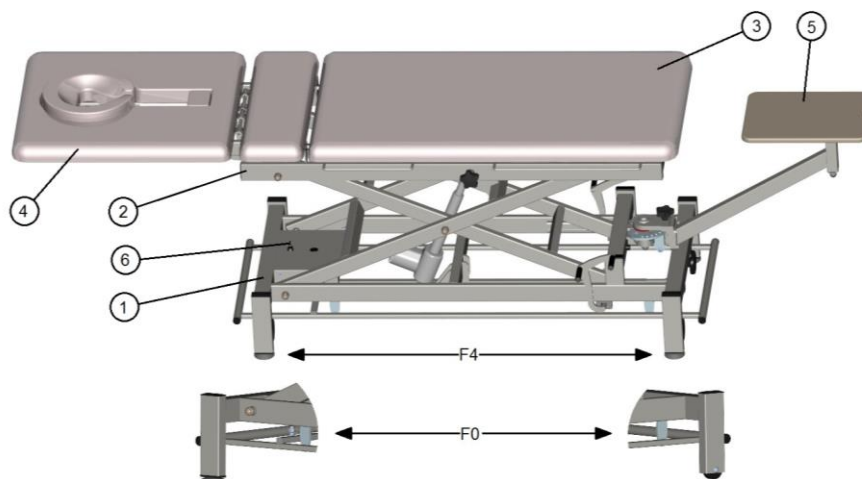
It is forbidden to modify tables without written authorization from the manufacturer.



CAUTION !

The manufacturer has made every effort to ensure the best cooperation of the product with accessories for traction on the market. At the same time in order to ensure full compatibility and comfort in use, it is recommended to use QuickWrap™ DTS traction belts and mechanical traction unit TRU-TRAC/TRITON of Chattanooga Group, recommended by Meden-Inmed.

The frame of the table is made of welded steel sections coated with powder paint. It includes the following components:



Picture 3 - Elements of the GALAXY Traction table

① base frame

GALAXY Traction - the table support base , equipped with foot-operated height adjustment

F0 - with two small wheels and two feet (model 3263);

F4 - with four feet and four retractable wheels for easy transport (model 3274);

② upper frame

the base for the table top with locking system for the movable parts;

③ patient table

allows patients to assume comfortable position for traction treatment with the possibility of manually adjusting inclination and declination angles of the front and adjusting position of the movable leg section;

④ front sections

with angle adjustment, a breathing hole, and a mounting point for the belt

⑤ traction unit base

the base for the traction unit;

⑥ access lock

blocks the hi-lo adjustment of the table.

3.2. Equipment and additional accessories



CAUTION !

Use only accessories indicated or provided by the manufacturer.

Every GALAXY Traction table is provided with a breathing slot and strengthened mounting point for the traction belt in its front section and has rails for fastening the stabilization belts in the rear section.

Additionally, the tables may be equipped with the following accessories:

- traction unit TRU-TRAC/TRITON (recommended by Meden-Inmed);
- set of professional traction belts QuickWrap™ DTS (recommended by Meden-Inmed);
- two section flexion stool model 3265 (T2S);
- stabilization belts;
- wedges: 30x40x12 cm and 50x35x20 cm;
- rolls and semi-rolls 60x15 cm and 60x15x10 cm;
- ergonomic chair/stool for therapists (LUX, STANDARD, FLEXI).

3.3. Table set

GALAXY Traction table	model as per order specs
Installation and operation manual	1 pc.
Additional accessories	as per order specs

3.4. Transport and storage

Transport and storage conditions are described in Table 1. The GALAXY Traction tables are transported to the customer in a cardboard box on a wooden pallet. Stacking is permitted up to 3 layers using special stackable pallets. External edges of the upholstered parts are lined with foam, bubble wrap and stretch foil. Protect the outer edges of GALAXY Traction tables against damage while moving or transporting them.

4. GENERAL WARNINGS AND CAUTIONS



CAUTION !

To avoid the risk of electric shock, the device must be connected to a protective earth ground. Do not use any extension cords and splitters.



CAUTION !

Do not use a table with a power cord other than provided by the manufacturer.



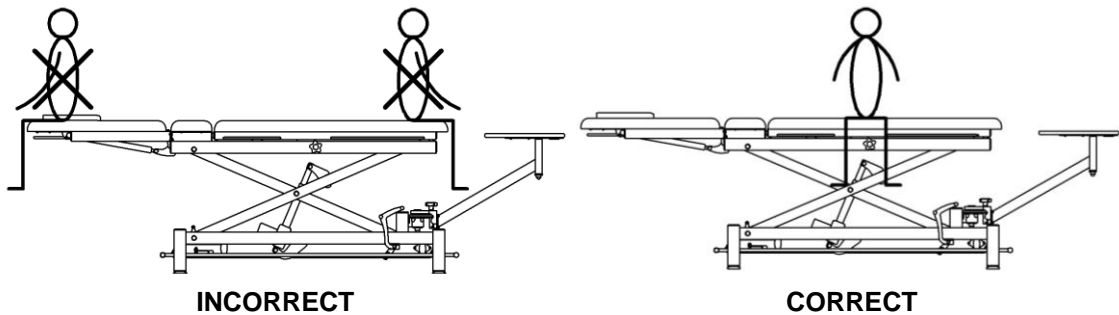
CAUTION !

Galaxy traction table have limited load capacity! The safe working load should not exceed 200 kg (440 lbs) when lifting and the total load should not exceed 275 kg (606 lbs).



CAUTION !

If the patient is placed in the wrong position relative to the moving parts of the bed, there is a risk of injury to the body or table structure.



Picture 4 - Correct and incorrect loading of the table

CAUTION !



Do not allow liquids (coffee, tea, water, detergents and disinfectants) to contact the actuator electrical wiring and other components of the table. In the case of water damage to electrical wiring or actuator conduit the table should be immediately disconnected from the power supply by removing the plug from the outlet. It is recommended to have the table examined by a qualified technician.

Help the patient to maintain proper position before treatment by lowering the bed top to the lowest position. Likewise, lower the bed top after the treatment to help the patient to get out of the bed. The manufacturer is not liable for the consequences of improper (not in accordance with the conditions set out in this manual) use of the GALAXY traction tables.

5. PREPARING THE UNIT FOR USE

CAUTION !



When setting or changing the place of use of the GALAXY traction table, ensure that there are no objects in the space below the bottom frame of the table. Avoid uncontrolled access to the children's use area, as well as pets (cat, dog, etc.). Do not place objects in the space under the table to avoid damage during movement.

CAUTION !



In order to reliably disconnect the power supply system of the table, unplug the power cord from the socket.

CAUTION !



Unplug the table from the mains socket while performing maintenance, servicing or similar actions under the table.

CAUTION !



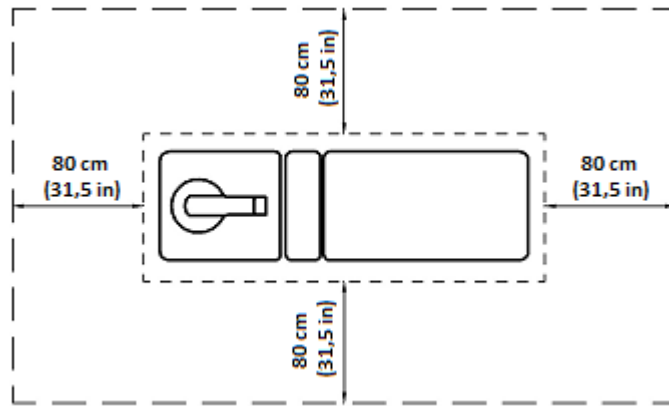
When connecting the electrical power supply cable, make sure to protect it from accidental clamping of objects between moving parts of the table. The electrical power supply cable should be laid in such a manner so as to prevent the patient or the masseur from stumbling over it.

CAUTION !



Do not use the table in rooms with high relative air humidity (especially in rooms meant for hydro-therapeutic treatment).

Before use, ensure that there is a minimum clearance of 80 cm (31,5 in) on each side of the table.

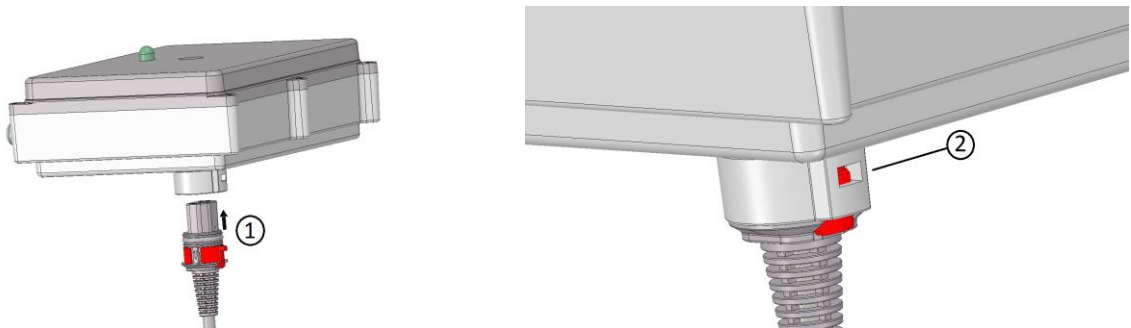


Picture 5 - Recommended positioning of the GALAXY traction table

Once the table is in position, unpack it from the transport foil and plug the power cord into the mains socket, which is freely accessible when using the table.

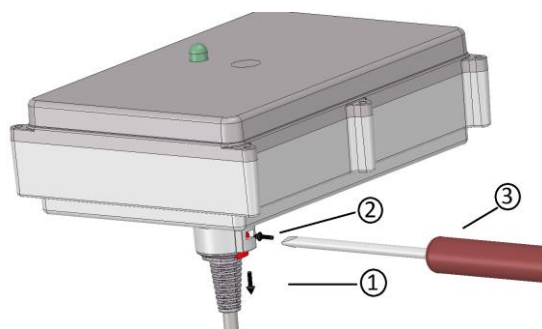
If the power cord is disconnected from the controller, re-connect it as follows:

Insert the power cord into the power supply socket of the controller ① until locking ② is activated.



Picture 6 – Connecting the power cord

Before disconnecting the power cord from the controller, make sure that the mains plug is removed from the mains power outlet, then press the lock ② with the screwdriver ③ and pull the power cord out of the power socket ①.



Picture 7 – Disconnecting the power cord

6. OPERATING THE TABLE



CAUTION !
Always maintain a safe distance from the table mechanisms operating at the time of adjusting the height and position of the section table. Moving parts pose a risk mechanisms cease.



CAUTION !
When using other electrical appliances near the table, make sure that their power cables are not clamped or damaged by moving parts of the table.



CAUTION !
Before starting work on the table, ensure that the table rests on the feet – the WORK position (see p. 6.8).



CAUTION !
Before starting work, user should make sure that the patient is in a safe position.



CAUTION !
Avoid contact of upholstered surfaces with: oils, lotions, facial and make-up cosmetics. Contact with such agents can cause stiffening and cracking of the cover material, as well as a change in gloss of the upholstery surface. This is not covered by the warranty.

Prepare a disposable bed cover (such as paper towels, disposable sheets etc.) for each patient before attempting to use the GALAXY traction table for treatment procedures. The patient should wear comfortable underwear and have their body covered for the whole time. Following this procedure helps to relax during traction treatment and to improve its efficiency.

6.1. Leveling the table

After the table has been located in its destination place, it should be leveled. This operation is necessary to ensure proper working conditions of the unit - see p. 6.8

6.2. Height adjustment – raising (lowering) the bed



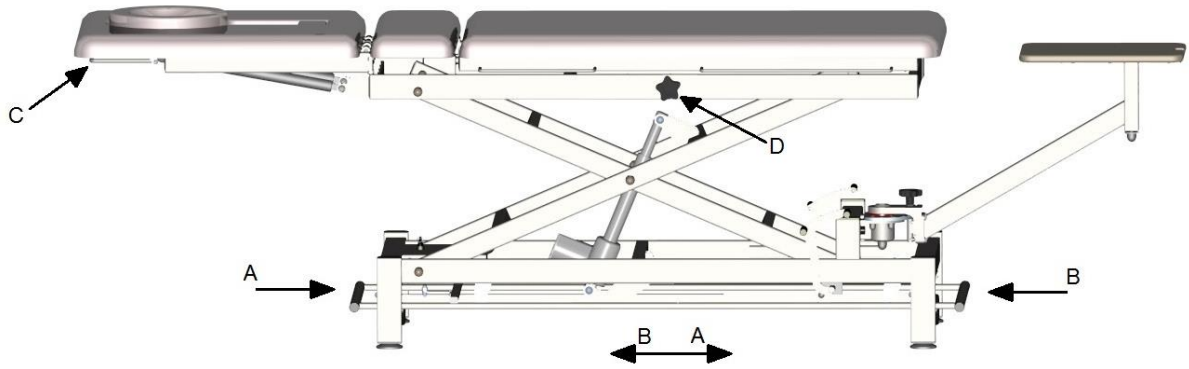
CAUTION !
Before starting work the user should make sure that the patient is in a safe position.



CAUTION !
Do not use the table in bare feet since there is a risk of injury

Height adjustment in the GALAXY Traction tables is done by means of a foot controlled frame located at the bottom of the table. To lift the table, push the frame in the direction of the head rest (**B**). To lower it, push the frame in the direction of the leg rest (**A**) (see pic. 8). The table will be lifted or lowered as long as the foot

controller frame is kept in its leftmost or rightmost position. The actuator switches off automatically when it reaches its minimum or maximum position.



Picture 8 - Regulation elements of GALAXY Traction table

A - down

B - up

C – lock handle

D - sliding bed top placement blockade knob

6.3. Adjustment of the front (rear) section inclination/declination angle



Before adjusting the table, the user should make sure that the patient is in a safe position.

CAUTION !



Do not insert your fingers into the gaps between the segments of the table, as this could trap them when lifting or regulating and the position of the table.

CAUTION !

In order to change the inclination/declination angle of the front (rear) section of the table, pull the lock handle of the gas spring to disengage it (see pic. 8 – item C), set the required position of the section and release the handle to lock the spring again.

6.4. Movable bed top section sliding function



Before adjusting the table, make sure the patient is in a safe position.

CAUTION !



Do not insert your fingers into the gaps between the segments of the table, as this could trap them when lifting or regulating and the position of the table.

CAUTION !

There is a possibility in GALAXY Traction tables to move the rear part of the bed top. The function is available after loosening the blockade knob, which is located on the left side of the top frame (non-movable) (look pic. 8 - item D). In order to unlock the sliding of the movable bed top part, the blockade knob must be unscrewed (the blockade knob has a protection not to be unscrewed fully). Tightening the blockade makes the bed top block in a fixed position.

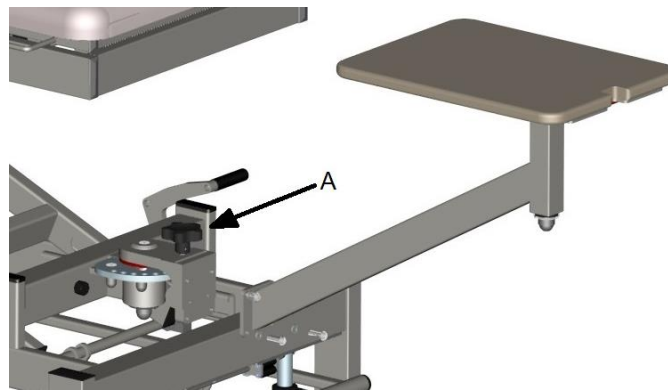
6.5. Attaching and replacing traction unit stand to table



CAUTION !

The GALAXY traction table transport to the client takes place with the traction unit bracket dismounted.

In order to mount (remove) the traction unit bracket to the swivel arm in the bottom frame (look pic. 9), use the screws (ISO 7380 M8×25 – 8 pcs), spring washers (DIN 7980o8,1 – 8 pcs) and a hexagonal Allen key (No 5). The traction unit base in the Galaxy traction tables has a rotation of ± 90 degrees, as well as a step blockade every ~ 13 degrees. In order to unlock the unit base rotation, the blocking knob must be unscrewed (look pic. 9 - item A) - the blocking knob cannot be from being unscrewed fully - setting the working degree of the traction unit and tighten the safety knob to lock in place.



Picture 9 - Regulation and montage of the traction unit base arm of the GALAXY Traction table.

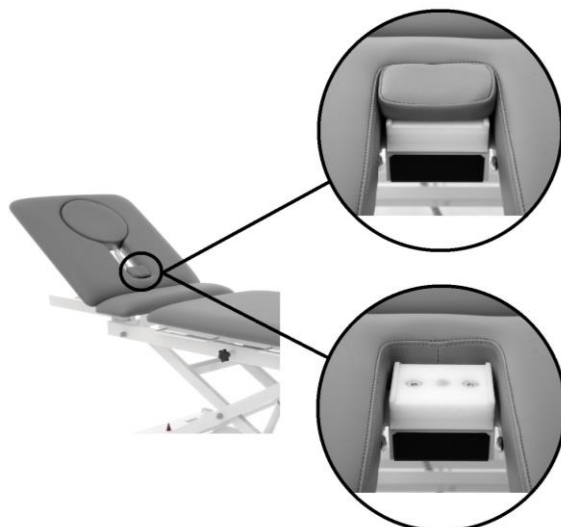
6.6. Assembly of traction belt



CAUTION !

During the use of the traction belt, act accordingly to the User Manual enclosed by the belt manufacturer.

The montage of traction belt hook is possible with the designed hook. It is placed in the headrest hinge plate (pic. 10). Before the traction belt montage, the upholstered cap, assembled magnetically to the hook plate, must be dismounted. After that, the traction belt hook can be mounted.



Upholstered cap mounted - work on the table without the traction belt mounted.

Upholstered cap dismounted - work on the table with the traction belt mounted.

Picture 10 – The place of assembly of the traction belt hook

6.7. Placement of traction unit



CAUTION !
TRU-TRAC - the mechanical spine traction device is put on a 360°-rotating plate. A proper direction of the plate must be preserved in respect of the traction unit securing tab - rectangular undercut in the desk needs to be set in the direction of the device hook.



CAUTION !
During setting, blocking and using of the traction unit, the user needs to act accordingly to the User Manual enclosed by the traction unit manufacturer.

Mounted mechanical spine traction device TRU-TRAC on the swivel base is shown in the picture 11.



Picture 11 – Assembly of traction unit

6.8. Moving the table



CAUTION !
Before changing the location of the table, make sure that the mains plug of the power cord is removed from the AC outlet and protected against accidental damage during relocation.



CAUTION !
It is forbidden to move the GALAXY Traction table TTET300, TTET400 on the wheels with the patient.

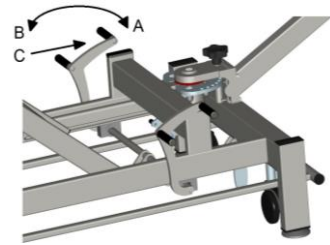


CAUTION !
Any manipulation of the position change lever WORK-TRANSPORT should be performed with the table without the patient.

GALAXY Traction table TTET300, TTET400 (with the F4 bottom frame) has a foot lever (see C in pic. 12) which can be set in two positions:

- WORK (A) - with the table resting on its feet, which can be adjusted for leveling (by screwing the foot in and out – see section 6.1);
- TRANSPORT (B) - with the table resting on 4 castors enabling it to be transported

- A - WORK
- B - TRANSPORT
- C – LEVER FOR POSITION CHANGE



Picture 12 - Moving the GALAXY Traction table with F4 frame type

GALAXY Traction table TTET300 model 3263 (with F0 bottom frame) has two feet at the headrest side and two wheels at the opposite side. The table can be moved about by lifting it by the headrest (be careful not to press the gas spring lever) and transporting the table using the two wheels.

6.9. Flexion stool



CAUTION !

Maximum element extension must not be exceeded. Maximum admissible extensions of the upholstered elements are marked by a red line in the extendable profile.

Galaxy traction table TTET300, TTET400 can be equipped with a flexion stool model 3265 which allows setting the patient properly and comfortably during the traction intervention. The support has a vertically adjustable pad upholstery (pic. 13). A regulation knob (item A, pic. 13) is used to control the height. In order to change the height of the support segment, the regulation knob needs to be loosened, the pad height to be set (not exceeding the acceptable extension), and then the regulation knob again needs to be blocked.



Picture 13 - Double flexion stool

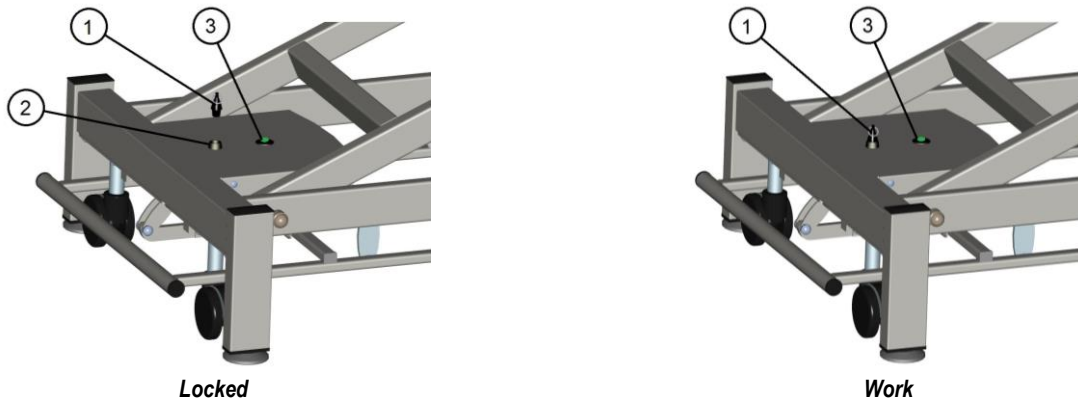
6.10. Access lock



CAUTION !

Always remove the key from the lock slot before leaving the workstation, preventing unauthorized persons from starting the table control function. Then check it is locked, by testing the height movement of the table.

GALAXY traction tables are equipped with a locking mechanism for access to the height adjustment function (see figure 14). The adjustment function is locked when key ① is removed from slot ② and LED ③ flashes every 0.7 seconds. Height adjustment is possible when key ① is in slot ②, and the LED ③ continuously lit.



Picture 14 - Mechanism performance/access lock

7. MAINTENANCE



CAUTION !

We recommend cleaning and/or disinfecting the upholstered surfaces and other parts of the tables after each use to ensure proper hygiene.



CAUTION !

Before starting the cleaning of the table make sure that the electrical power supply cable has been disconnected from the mains to prevent accidental movement of the table.



CAUTION !

Estimated useful life of the device is 7 years. After 7 years starting from the device production (and its equipment), the manufacturer is not held accountable for any flaws of the device (and its equipment), as well as their consequences.

7.1. Cleaning the upholstery

Clean and maintain the upholstered surfaces in the following way:

- clean regularly with warm water and mild detergent (e.g. soap) solution; use soft cloth or sponge;
- rub the more heavily stained areas with a soft, damp brush;
- after cleaning, wipe dry with a soft cloth;
- in case the surface has been stained with ball pen ink, lipstick, printing ink etc., remove the stain immediately by rubbing it with a soft cloth.

Avoid extensive wetting of the surface of the table.

Disinfect the upholstery and other surfaces using the mild antibacterial detergent. A list of recommended disinfectants is available in the DJO on request.

Never use:

- cleaning paste, wax, sprays;
- strong detergents, solvents and cleaning agents containing solvents, cleaning preparations for natural leather.

Use of such preparations may cause stiffening and breakages of the cover material as well as adverse change of the glossy finish of the upholstery surface which is not covered by the warranty.

Disinfection with the use of the UV rays does not affect the surface of the upholstery.

7.2. Maintenance of the base and mechanical parts

Clean the metal parts with a soft, damp sponge. Wipe the parts dry immediately after cleaning. Do not use cleaning agents containing alcohol.

All movable parts must be lubricated every six months or when experiencing squeaks or other noise. These joints include in particular:

- axles of transport wheels,
- actuator mounting shafts,
- boom arm sleeve bearing.

We recommend using any available aftermarket lubricants. Protect the upholstered parts from contact with the lubricants and remove any excess with a dry cloth. Check the threaded joints periodically every six months and remove loose connections with a screwdriver, hex keys (no 4, 5, and 6) and flat (10, 13 and 19 mm). Such connections are in particular:

- bolts attaching the boom arms with the lower and upper frame;
- mounting bolts that lift the wheel mechanism (F4);
- gas springs piston road press bolts.

Report all loose connections that cannot be removed to your local DJO technical service and stop using the table until the cause of the problem is removed.

7.3. Checking the gas springs

GALAXY Traction tables TTET300, TTET400 are equipped with gas springs for easy adjustment of the front section inclination angle. To ensure proper performance of the gas springs check the springs visually for leaks every 3 months. Any perceived performance deficiency or leak must be reported to your local DJO technical service immediately.

7.4. Checking the actuators

GALAXY Traction tables TTET300, TTET400 are equipped with electric actuator with “push-only feature” (mechanical spline), which allows changing the height of the table. In order to ensure the proper performance of the electric actuators there should be made reviews every 3 months for their proper operation and the occurrence of the sounds other than during normal operation, for example. rattles, squeaks, etc. Any perceived performance deficiency must be reported to your local DJO technical service immediately and stop using the table until the cause of the problem is removed.

7.5. Periodic check of electrical safety

CAUTION !



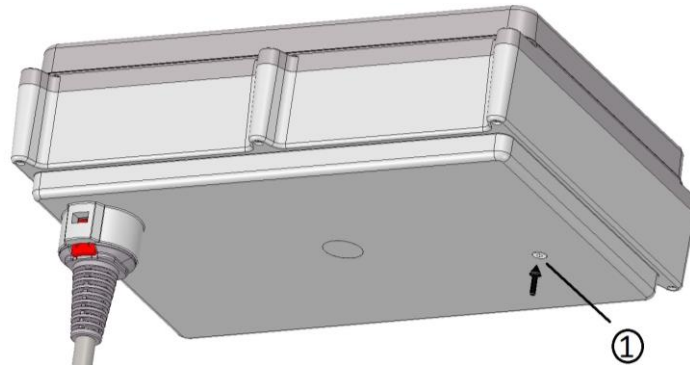
The mechanical spine traction device TRU-TRAC/TRITON subjects to use and service terms enclosed in the device manual. In case of an error display, as well as a warning or any other problems with operating, the use of the system must be immediately stopped, followed by a contact with the service or the local representative of the Chattanooga Group.

The electrical safety check should be carried out at least once every 2 years, and after every fault or repair of the actuator and/or the power mechanism of the traction table. The minimal range of reviews should include:

- checking if there was no mechanical damage of wiring system of the table;
- checking if there was no mechanical damage of actuators and control case;

- an examination of the height adjustment and pivot function switches;
- electrical safety tests should be performed according to PN-EN 62353.

Protective earth resistance should be performed from the point indicated in the picture ①.



Picture 15 – Measuring point of the earth resistance

8. TROUBLESHOOTING

Failure indication	Possible cause	Action to be taken
The adjustment mechanism does not work - the LED is off	Exceeded the continuous work cycle	If necessary, take the patient off the table with the user's help. To restart the controller, remove the mains plug from the mains electrical outlet in the room and the access lock from the socket and wait for a minimum 1 h. Then connect the table to the mains socket and if the LED is on, you can start working with the table.
	Disconnected power cord	Check if the power cord is plugged into the power supply socket of the controller and the AC outlet
Control mechanism interrupts operation - LED is on	Exceeded safe working load	Reduce the load on the table

If the fault persists, stop using the table, unplug the power cord, remove the lock and contact the supplier or the manufacturer.

9. Electromagnetic compatibility-Guidance and manufacturer's declaration

Essential Performance - there are no essential performance characteristics according to the risk assessment.

Equipment stands for GALAXY Traction Table TTET300 model 3263 and 3264, TTET400*

Guidance and manufacturer's declaration – electromagnetic emissions		
The equipment* is intended for use in the electromagnetic environment specified below. The customer or the user of the equipment* should assure that it is used in such an environment.		
Emissions test	Compliance	Electromagnetic environment – guidance
RF emissions CISPR 11	Group 1	The equipment* uses RF energy only for its internal function. Therefore, its RF emissions are very low and are not likely to cause any interference in nearby electronic equipment.
RF emissions CISPR 11	Class A	The equipment* is suitable for use in all establishments other than domestic and those directly connected to the public low-voltage power supply network that supplies buildings used for domestic purposes.
Harmonic emissions IEC 61000-3-2	Class A	
Voltage fluctuations/ flicker emissions IEC 61000-3-3	Complies	

WARNING: Use of this equipment adjacent to or stacked with other equipment should be avoided because it could result in improper operation. If such use is necessary, this equipment and the other equipment should be observed to verify that they are operating normally.

WARNING: Use of accessories, transducers and cables other than those specified or provided by the manufacturer of this equipment could result in increased electromagnetic emissions or decreased electromagnetic immunity of this equipment and result in improper operation.

WARNING: The EMISSIONS characteristics of this equipment make it suitable for use in industrial areas and hospitals (CISPR 11 class A). If it is used in a residential environment (for which CISPR 11 class B is normally required) this equipment might not offer adequate protection to radio-frequency communication services. The user might need to take mitigation measures, such as relocating or re-orienting the equipment.

WARNING: Device may be susceptible to electromagnetic disturbances, but Basic Safety and Essential Performance are maintained.

Guidance and manufacturer's declaration – electromagnetic immunity			
The equipment* is intended for use in the electromagnetic environment specified below. The customer or the user of the equipment* should assure that it is used in such an environment.			
IMMUNITY test	IEC 60601 test level	Compliance level	Electromagnetic environment – guidance
Electrostatic	± 8 kV (contact)	± 8 kV (contact)	Floors should be wood, concrete or

discharge (ESD) IEC 61000-4-2	± 2/4/8/15 kV (air)	± 2/4/8/15 kV (air)	ceramic tile. If floors are covered with synthetic material, the relative humidity should be at least 30 %.
Electrical fast transient/burst IEC 61000-4-4	±2 kV for power supply lines 100 kHz	±2 kV for power supply lines 100 kHz	Mains power quality should be that of a typical commercial or hospital environment.
Surge IEC 61000-4-5	± 1 kV line(s) to line(s) ± 2 kV line(s) to earth	± 1 kV line(s) to line(s) ± 2 kV line(s) to earth	Mains power quality should be that of a typical commercial or hospital environment.
Voltage dips, short interruptions and voltage variations on power supply input lines IEC 61000-4-11	0 % U _T ; 0,5 cycle at 0°, 45°, 90°, 135°, 180°, 225°, 270° and 315° 0 % U _T ; 1 cycle and 70 % U _T ; 25/30 cycles (50/60Hz) 1 phase: at 0° 0 % U _T ; 250/300 cycles (50/60Hz)	0 % U _T ; 0,5 cycle at 0°, 45°, 90°, 135°, 180°, 225°, 270° and 315° 0 % U _T ; 1 cycle and 70 % U _T ; 25/30 cycles (50/60Hz) 1 phase: at 0° 0 % U _T ; 250/300 cycles (50/60Hz)	Mains power quality should be that of a typical commercial or hospital environment. If the user of the equipment* requires continued operation during power mains interruptions, it is recommended that the equipment* be powered from an uninterruptible power supply or a battery.
Power frequency (50/60 Hz) magnetic field IEC 61000-4-8	30 A/m	30 A/m	Power frequency magnetic fields should be at levels characteristic of a typical location in a typical commercial or hospital environment.
NOTE U _T is the a.c. mains voltage prior to application of the test level.			

Guidance and manufacturer's declaration – electromagnetic immunity

The equipment* is intended for use in the electromagnetic environment specified below. The customer or the user of the equipment* should assure that it is used in such an environment.

IMMUNITY test	IEC 60601 TEST LEVEL	Compliance level	Electromagnetic environment – guidance
Conducted RF IEC 61000-4-6	3 V 0,15 MHz – 80 MHz 6 V in ISM bands between 0,15 MHz and 80 MHz 80 % AM at 1 kHz	3 V 0,15 MHz – 80 MHz 6 V in ISM bands between 0,15 MHz and 80 MHz 80 % AM at 1 kHz	WARNING: Portable RF communications equipment (including peripherals such as antenna cables and external antennas) should be used no closer than 30 cm (12 inches) to any part of the equipment*, including cables specified by the manufacturer. Otherwise, degradation of the performance of this equipment could result.
Radiated RF IEC 61000-4-3	3 V/m 80MHz do 2,7GHz	3 V/m 80MHz do 2,7GHz	

