

# INSTALLATION AND OPERATION MANUAL

## GALAXY Massage table



**Manufactured for DJO**

**MEDEN - INMED Sp. z o.o.**  
**2 WENEDÓW STREET**  
**KOSZALIN 75-847**  
**POLAND**



**For service & repair:**

For US product support please call 1-800-494-3395,  
or visit [djoglobal.com](http://djoglobal.com).

For international product support please contact your  
local dealer, or your corresponding DJO Global site.

You may also contact us internationally at the below  
email address:

[internationalproductsupport@DJOglobal.com](mailto:internationalproductsupport@DJOglobal.com)

## CONTENT

1. INTRODUCTION	3
2. FEATURES OF GALAXY MESSAGE TABLES	4
2.1. INTENDED USE	4
2.2. TECHNICAL DATA	4
2.3. GALAXY MERCURY CLASSIC	5
2.4. GALAXY MERCURY S2.FX / S2.FX-H	5
2.5. GALAXY MERCURY E-S2.FX / E-S2.FX-H	5
2.6. GALAXY JUPITER S3.FX / S3.FX-H	6
2.7. GALAXY MERCURY S4.FX / S4.FX-H	6
2.8. GALAXY JUPITER S5.FX / S5.FX-H	6
2.9. GALAXY SATURN P3.FX / P3.FX-H	7
2.10. GALAXY SATURN P5.FX / P5.FX-H	7
3. DESIGN AND FUNCTIONS	8
3.1. TABLE COMPONENTS	8
3.2. EQUIPMENT AND ADDITIONAL ACCESSORIES	9
3.3. TABLE SET	9
3.4. TRANSPORT AND STORAGE	9
4. GENERAL WARNINGS AND CAUTIONS	10
5. PREPARING THE UNIT FOR USE	11
6. OPERATING THE TABLE	13
6.1. LEVELING THE TABLE	13
6.2. HEIGHT ADJUSTMENT – RAISING (LOWERING) THE BED	13
6.3. ADJUSTMENT OF THE FRONT (REAR) SECTION INCLINATION/DECLINATION ANGLE	15
6.4. ADJUSTING POSTURAL DRAINAGE ANGLE	15
6.5. HEIGHT ADJUSTMENT OF THE SIDES IN THE HEADREST PART	16
6.6. MOVING THE TABLE	16
6.7. ACCESS LOCK (NOT APPLICABLE TO -H MODELS)	17
7. MAINTENANCE	18
7.1. CLEANING THE UPHOLSTERY	19
7.2. MAINTENANCE OF THE BASE AND MECHANICAL PARTS	19
7.3. CHECKING THE GAS SPRINGS	20
7.4. CHECKING THE ACTUATORS	20
8.0. TROUBLESHOOTING	21
9.0. ELECTROMAGNETIC COMPATIBILITY – GUIDANCE AND MANUFACTURER'S DECLARATION	21
10. WARRANTY CARD	24

# 1. INTRODUCTION

Congratulations on a perfect choice of our massage table. GALAXY massage tables are stable, reliable and easy to use. These features result from careful design, manufacturing methods applied in production and the quality assurance system. Reading and following instructions provided in this manual will ensure safe and long lasting use of our tables.

## GENERAL INSTRUCTIONS:

1. This product must be operated by personnel who have thoroughly read and understood all the precautionary and operating instructions put forth in this operation manual.
2. Using, operating or servicing of the product contrary to the rules and recommendations put forth in this user manual is prohibited, as it may lead to damage which the manufacturer shall not be liable for.
3. If the performance or parameters of the product are not in accordance with the description in this manual or if any damage to its performance is observed, the product must not be used. You must report the manufacturer or supplier immediately.
4. Repair of the product must be done by the local DJO office or authorized dealer and registered on the repair list in the warranty card. Failure to do so will void the warranty.
5. Technical description of the table with a list of spare parts and how to replace them is available from your local DJO Service Dealer or the manufacturer on request.

This warranty will not be fulfilled if the product is used contrary to its purpose or fails to comply with the terms set in the user manual. The manufacturer shall not be liable for the consequences of improper (i.e. against the instructions put forth in this user manual) use of the accessories for the table.

### CAUTION !



This sign denotes operations which - when performed in a way other than described in this manual – may worsen the safety conditions or cause hazard to the user and/or the operator of the device.



Such marking has been applied to the table GALAXY massage table where it is essential to read the contents of the Operator's Manual and follow the instructions for use of the table.



Applied part type B



Manufacturer



Compliance for both U.S. and Canadian markets.



All electric and electronic devices marked with the symbol of crossed-out dustbin must be disposed-of properly at recycling facilities according to the European Union's WEEE directive or equivalent regulations. It is absolutely necessary that all devices which contain substances harmful to the environment or humans are recycled properly in relevant facilities and must not be disposed of with general or household waste. Such regulations ensure that the quantity of electronic waste is reduced and a required amount of electronic devices is recycled properly. Proper recycling of electronic waste is important as it may contain substances harmful to the environment and humans.

## 2. FEATURES OF GALAXY MESSAGE TABLES

This manual describes the different execution of the GALAXY table, so not all of the information and drawings contained in it are related to your copy. The manufacturer reserves the right to make changes, not depicted in the current version of the manual, which will not cause degradation of functional and safety conditions of the product.

### 2.1. Intended Use

The GALAXY massage table is designed for performing manual massage treatments to treat and alleviate traumas or disabilities by restoring or improving the function of massaged tissues, organs, and systems.

### 2.2. Technical data

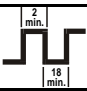


Technical data		GALAXY						
		MERCURY		JUPITER		SATURN		MERCURY
		CLASSIC	S2.Fx	S4.Fx	S3.Fx	S5.Fx	P3.Fx	P5.Fx
S2.Fx-H	S4.Fx-H		S3.Fx-H	S5.Fx-H	P3.Fx-H	P5.Fx-H	E-S2.Fx-H	
Table length	head section	46 cm (18,1 in)						69 cm (27,2 in)
	middle section	-		54 cm (21,3 in)			-	
	foot section	155 cm (61 in)		101 cm (39,8 in)			139 cm (54,7 in)	
	total	202-205 cm (79,5-80,7 in)						211 cm (83 in)
Inclination/declination angle adjustment [degrees]	head section	40:70						00:85
Height adjustment	minimum	50 (52) ±1 cm / 51 (53) ±1 cm –H (19,7 (20,5) ±0,4 in / 20,1 (20,9) ±0,4 in) – H						
	maximum	101 (103) ±1 cm / 96 (98) ±1 cm –H (39,8 (40,5) ±0,4 in / 37,8 (38,6) ±0,4 in) – H						
Table width	All sections	app. 64 cm (25,2 in) *						
Duty cycle		Continuous, short term load (10%) max. 2 minutes "on", min. 18 minutes "off" Does not apply to a hydraulic actuator table						
Lifting capacity		≤ 200 kg (440 lbs) (max safe load while adjusting height)						
Working capacity		≤ 275 kg (606 lbs) (max safe load while not adjusting height)						
Weight	not more than	115 kg (253 lbs)						
Power and security requirements	Voltage frequency, current consumption	100-240 V; 50/60 Hz; 3-1,5 A				Does not apply to a table with hydraulic actuator		
	Protection class	I						
	Applied part	type B, 						
Protection level	Enclosure (control box)	IPX4						
environment conditions (temperature, relative humidity, air pressure)	work	+10°C up to +40°C, from 30% to 75% non-condensing, 700-1060 hPa						
	storage	+5°C up to +45°C, not exceeding 75% non-condensing, 700-1060 hPa						
	transport	-10°C up to +45°C, from 20% to 95% non-condensing, 700-1060 hPa						

Table 1 - Technical specifications of the GALAXY massage table family (The symbol Fx is the type of the lower frame, the symbol -H stands for the hydraulic height adjustment system - see section 3.1)

\* On request, it is possible to make a table width of 76 cm (29.9 in).

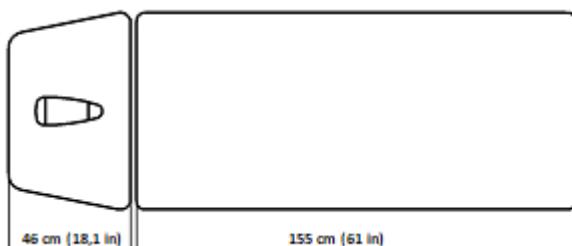


GALAXY massage table type MERCURY model CLASSIC, S2.Fx, S4.Fx, E-S2.Fx, type JUPITER model S3.Fx, S5.Fx and type SATURN model P3.Fx, P5.Fx together with equipment is made in accordance With essential requirements for medical devices (class I, rule 12) and have the CE marking, according to the declaration of the manufacturer.



GALAXY massage table type MERCURY model S2.Fx-H, S4.Fx-H, E-S2.Fx-H type JUPITER model S3.Fx-H, S5.Fx-H and type SATURN model P3.Fx-H, P5.Fx-H with accessories is made according to the essential requirements for medical devices (class I, rule 12) and have CE marking according to manufacturer's declaration.

### 2.3. GALAXY MERCURY CLASSIC



Head section inclination angle adjustment from: 0 to +40 degrees

Length of the head section: 46 cm (18,1 in)

Head section declination angle adjustment from: 0 to -70 degrees

Length of the leg section: 155 cm (64 in)

*Picture 1 – Inclination/declination angle adjustment section, length of the sections in GALAXY MERCURY CLASSIC tables*

### 2.4. GALAXY MERCURY S2.Fx / S2.Fx-H



Head section inclination angle adjustment from: 0 to +40 degrees

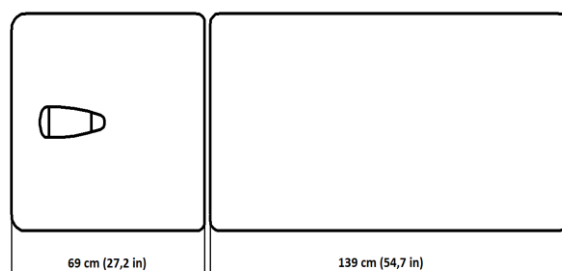
Length of the head section: 46 cm (18,1 in)

Head section declination angle adjustment from: 0 to -70 degrees

Length of the leg section: 155 cm (64 in)

*Picture 2 – Inclination/declination angle adjustment section, length of the sections in GALAXY MERCURY S2.Fx /S2.Fx-H*

### 2.5. GALAXY MERCURY E-S2.Fx / E-S2.Fx-H



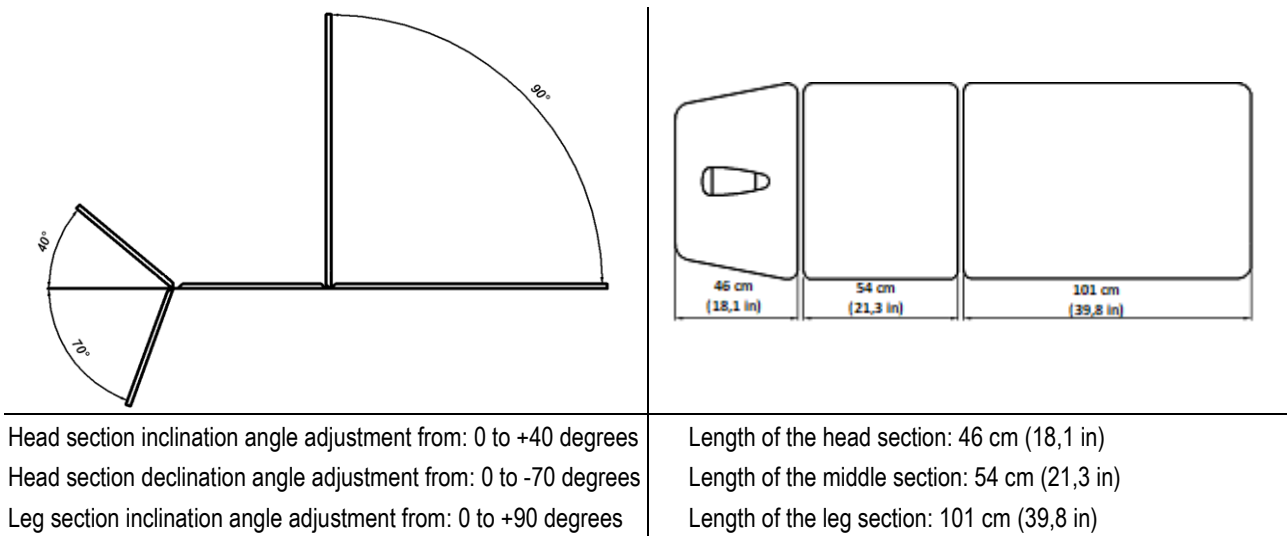
Head section inclination angle adjustment from: 0 to +85 degrees

Length of the head section: 69 cm (27,2 in)

Length of the leg section: 139 cm (54,7 in)

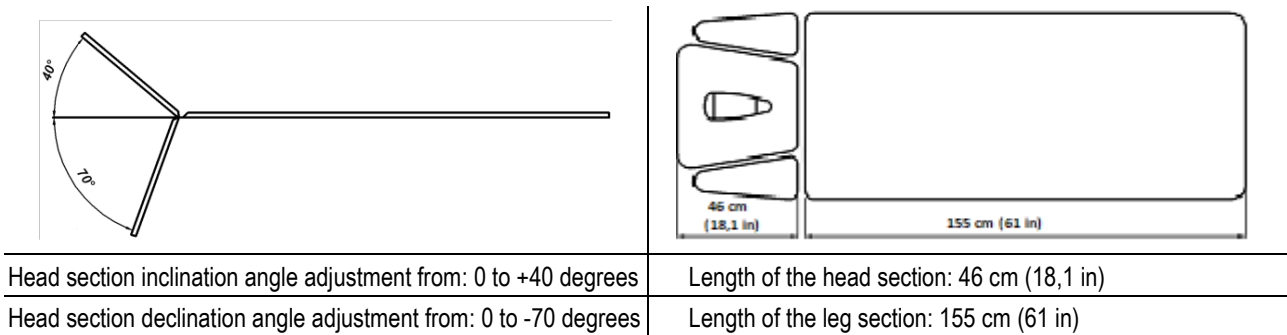
*Picture 3 – Inclination angle adjustment section, length of the sections in GALAXY MERCURY E-S2.Fx/E-S2.Fx-H tables*

## 2.6. GALAXY JUPITER S3.Fx / S3.Fx-H



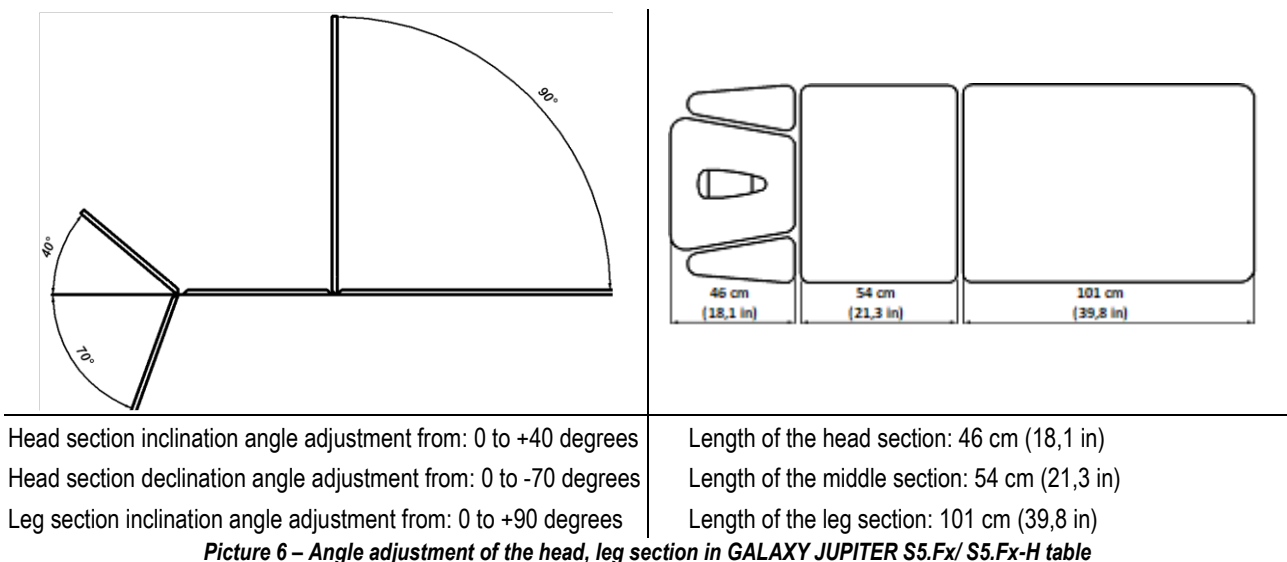
Picture 4 – Angle adjustment of head, leg section in GALAXY JUPITER E-S2.Fx/E-S2.Fx-H table

## 2.7. GALAXY MERCURY S4.Fx / S4.Fx-H



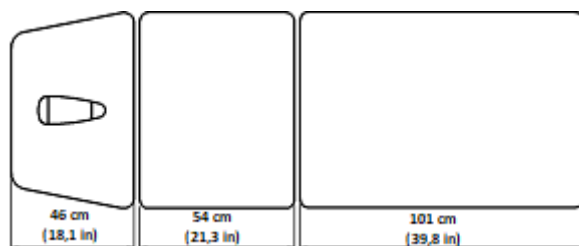
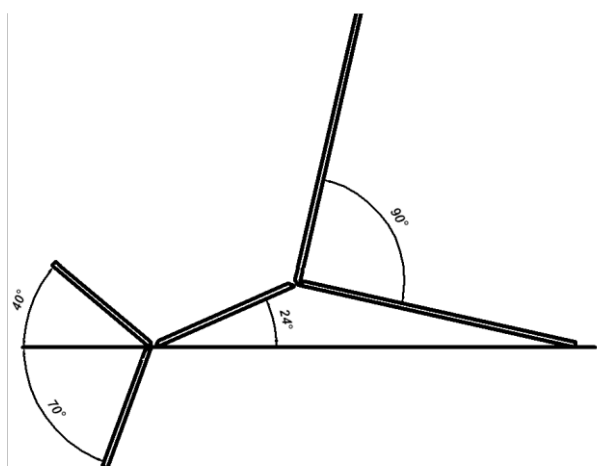
Picture 5 – Angle adjustment of head section in GALAXY MERCURY E-S4.Fx/ S4.Fx-H

## 2.8. GALAXY JUPITER S5.Fx / S5.Fx-H



Picture 6 – Angle adjustment of the head, leg section in GALAXY JUPITER S5.Fx/ S5.Fx-H table

## 2.9. GALAXY SATURN P3.Fx / P3.Fx-H

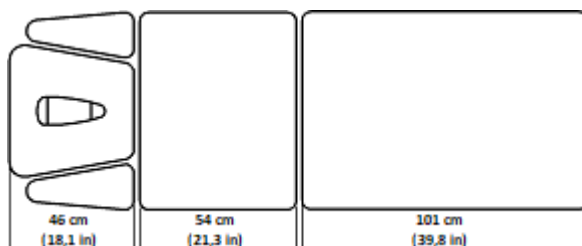
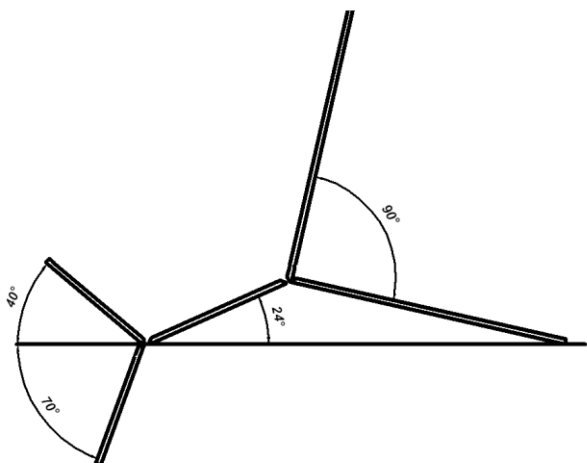


Head section inclination angle adjustment from: 0 to +40 degrees  
 Head section declination angle adjustment from: 0 to -70 degrees  
 Leg section inclination angle adjustment from: 0 to +90 degrees  
 Postural Drainage angle adjustment from 0 to +24 degrees

Length of the head section: 46 cm (18,1 in)  
 Length of the middle section: 54 cm (21,3 in)  
 Length of the leg section: 101 cm (39,8 in)

*Picture 7 – Angle adjustment of the head, postural drainage, leg section, sizes of sections in GALAXY SATURN P3.Fx/ P3.Fx-H table*

## 2.10. GALAXY SATURN P5.Fx / P5.Fx-H



Head section inclination angle adjustment from: 0 to +40 degrees  
 Head section declination angle adjustment from: 0 to -70 degrees  
 Leg section inclination angle adjustment from: 0 to +90 degrees  
 Postural Drainage angle adjustment from 0 to +24 degrees

Length of the head section: 46 cm (18,1 in)  
 Length of the middle section: 54 cm (21,3 in)  
 Length of the leg section: 101 cm (39,8 in)

*Picture 8 – Angle adjustment of the head, postural drainage, leg section, sizes of sections in GALAXY SATURN P5.Fx/ P5.Fx-H table*

## 3. DESIGN AND FUNCTIONS

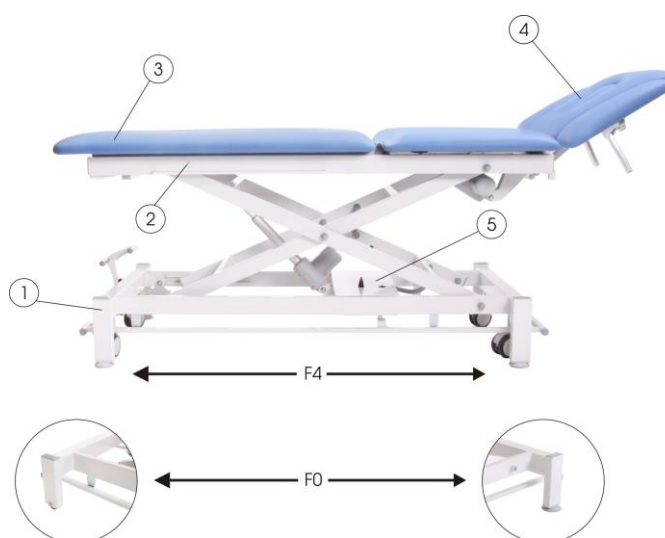
### 3.1. Table components



#### CAUTION !

It is forbidden to modify tables without written authorization from the manufacturer.

The frame of the table is made of welded steel sections coated with powder paint. It includes the following components:



Picture 9 - Elements of the GALAXY massage table

#### ① **bottom frame**

MERCURY CLASSIC - table support, equipped with two small wheels and two feet, without foot switch (height adjustment by hand);

MERCURY Sx.Fx, E-S2.Fx, JUPITER Sx.Fx and Saturn Px.Fx - table carrier, equipped with foot height adjuster;

MERCURY Sx.Fx-H, E-S2.Fx-H, JUPITER Sx.Fx-H and Saturn Px.Fx-H - table support, equipped with hydraulic height adjustment system.

**F0** - with two small wheels and two feet;

**F4** - made on four feet, with foot lever mechanism of four retractable wheels for easy transport.

#### ② **upper frame**

bed mounting surface with height adjustment electric actuator (Sx.Fx i Px.Fx);

bed mounting surface with height adjustment gas spring (Sx.Fx-H i Px.Fx-H).

#### ③ **patient bed**

which is the application part of the Galaxy Massage Table, which allows for a convenient massage position and adjustment of the inclination and declination angles of the front, middle or rear sections (depending on the version of the table).

#### ④ **head section**

with angle adjustment and breathing hole;

#### ⑤ **access lock**

blocks the hi-lo and postural drainage adjustment of the table (table version with electric actuator).



### 3.2. Equipment and additional accessories



#### CAUTION !

Use only accessories indicated or provided by the manufacturer.

Every GALAXY massage table is provided with a breathing slot in the front section and has rails for fastening the stabilization belts in the rear section (except for MERCURY CLASSIC).

Additionally, the tables may be equipped with the following accessories:

- paper towel hanger (roll size 60 x 14 ) - see. pic.2;
- stabilization bolsters and belts;
- wedges: 30x40x12 cm and 50x35x20 cm;
- rolls and semi-rolls 60x15 cm and 60x15x10 cm;
- ergonomic chair/stool for therapists (LUX, STANDARD, FLEXI);
- foot support for the therapist;
- remote control for the height adjustment of the bed (only MERCURY CLASSIC);
- cap for the face opening (option MERCURY CLASSIC).



Picture 10 – Installation of a paper towel roll and recommended unroll direction

### 3.3. Table set

GALAXY massage table	model as per order specs
Installation and operation manual	1 pc.
Additional accessories	as per order specs

### 3.4. Transport and storage

Transport and storage conditions are described in table 1. The GALAXY tables are transported to the customer in a cardboard box on a wooden pallet. Stacking is permitted up to 3 layers using special stackable pallets. External edges of the upholstered parts are lined with foam, bubble wrap and stretch foil. Protect the outer edges of GALAXY tables against damage while moving or transporting them.

# 4. GENERAL WARNINGS AND CAUTIONS



### CAUTION !

To avoid the risk of electric shock, the table must be connected to a grounded electrical service. Do not use any extension cords and/or multiple outlet extension cords.



### CAUTION !

Do not use a table with a power cord other than provided by the manufacturer.



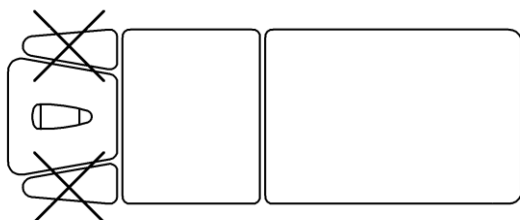
### CAUTION !

Galaxy massage table have a limited load capacity! The safe working load should not exceed 200 kg (440 lbs) when lifting and the total load should not exceed 275 kg (606 lbs).

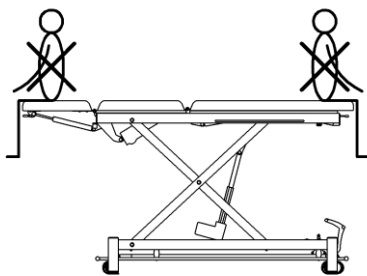


### CAUTION !

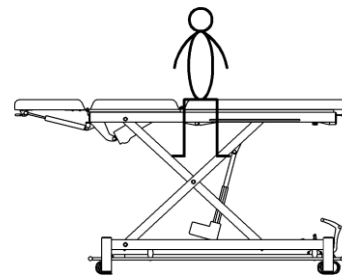
If the patient is placed in the wrong position relative to the moving parts of the bed, there is a risk of injury to the body or table structure.



Do not sit on the movable upholstery of the front section



**INCORRECT**



**CORRECT**

Picture 11 –Correct and Incorrect loading of the table

### CAUTION !



Do not allow liquids (coffee, tea, water, detergents and disinfectants) to contact the actuator electrical wiring and other components of the table. In the case of water damage to electrical wiring or actuator conduit the table should be immediately disconnected from the power supply by removing the plug from the outlet. It is recommended to have the table examined by a qualified technician

Help the patient to maintain proper position before doing treatment procedures by lowering the bed top to the lowest position. Likewise, lower the bed top after the treatment to help the patient to get out of the bed. The manufacturer is not liable for the consequences of improper (not in accordance with the conditions set out in this manual) use of the GALAXY tables.

## 5. PREPARING THE UNIT FOR USE

### CAUTION !



When setting or changing the place of use of the GALAXY massage table, ensure that there are no objects in the space below the bottom frame of the table. Avoid uncontrolled access to the children's use area, as well as pets (cat, dog, etc.). Do not place objects in the space under the table to avoid damaging during the movement.

### CAUTION !



In order to reliably disconnect the power supply system of the table, unplug the power cord of the table from the socket.

### CAUTION !



Unplug the table from the mains socket while performing maintenance, servicing or similar actions under the table.

### CAUTION !



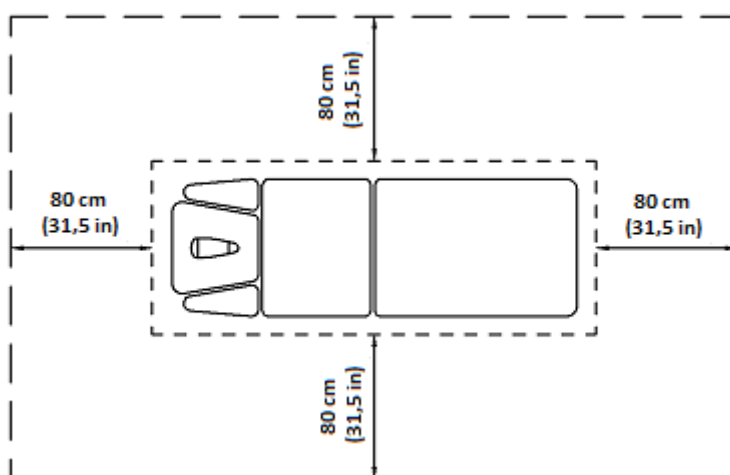
When connecting the electrical power supply cable, make sure to protect it from accidental clamping of objects between moving parts of the table. The electrical power supply cable should be laid in such a manner so as to prevent the patient or the user from tripping over it.

### CAUTION !



Do not use the table in rooms with high relative air humidity (especially in rooms meant for hydro-therapeutic treatment).

Select the place for the use of the table with a minimum of 80 cm (31,5 in) clearance on each side of the unit.

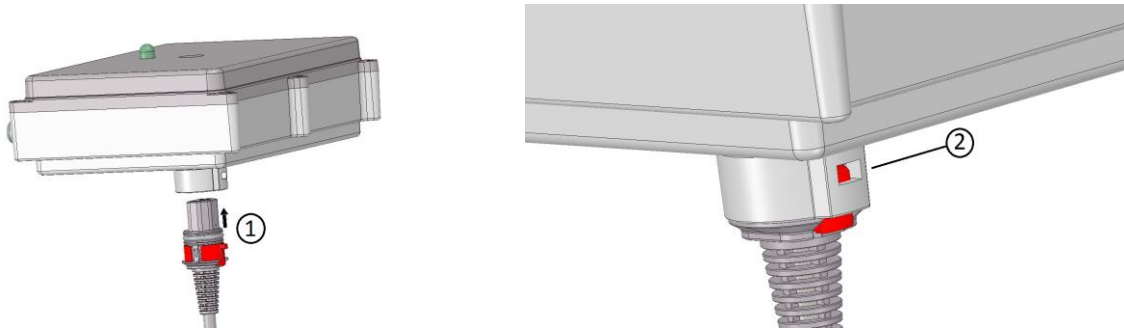


Picture 12 - Recommended positioning of the GALAXY table

After initial setting of the table, unpack it from the transport foil and plug the power cord into the mains socket, which is freely accessible when using the table.

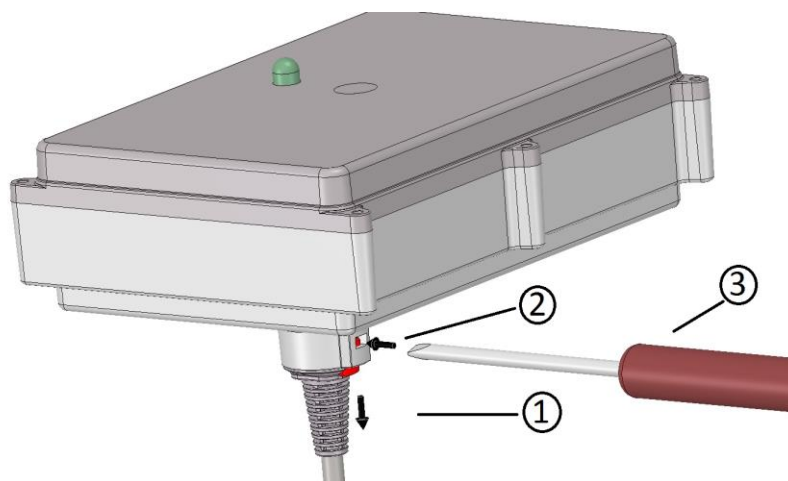
If the power cord is disconnected from the controller, re-connect it as follows:

Insert the power cord into the power supply socket of the controller (1) until the lock (2) is activated.



**Picture 13 – Connecting the power cord**

Before disconnecting the power cord from the controller, make sure that the mains plug is removed from the mains power outlet, then press the lock (2) with the screwdriver (3) and pull the power cord out of the power socket (1).



**Picture 14 – Disconnecting the power cord**

## 6. OPERATING THE TABLE

### CAUTION !



Always maintain a safe distance from the table mechanisms operating at the time of adjusting the height and position of the section table. Moving parts pose a risk mechanisms cease.

### CAUTION !



When using other electrical appliances near the table, make sure that their power cables are not clamped or damaged by moving parts of the table.

### CAUTION !



Before starting work on the table, make sure that the table rests on the feet - the WORK position (see p. 6.6).

### CAUTION !



Before starting work, user should make sure that the patient is in a safe position.

### CAUTION !



Avoid contact of upholstered surfaces with: oils, lotions, facial and make-up cosmetics. Contact with such agents can cause stiffening and cracking of the cover material, as well as a change in gloss of the upholstery surface. This is not covered by the warranty.

Prepare a disposable bed cover (such as paper towels, disposable sheets etc.) for each patient before attempting to use the GALAXY table for treatment procedures. The patient should wear comfortable underwear and have their body covered for the whole time. Following this procedure helps to relax during treatment and to improve its efficiency.

### 6.1. Leveling the table

After the table has been located in its destination place, it should be leveled. This operation is necessary to ensure proper working conditions of the unit.– see 6.6

### 6.2. Height adjustment – raising (lowering) the bed

#### CAUTION !



Before starting work the user should make sure that the patient is in a safe position.

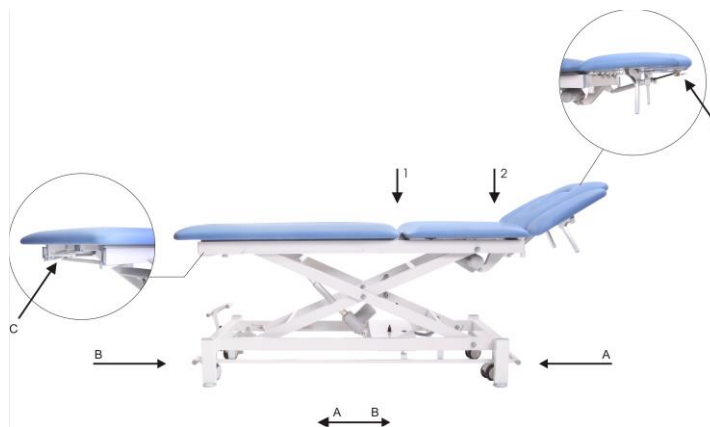
#### CAUTION !



Do not use the table in bare feet since there is a risk of injury.

Height adjustment in the MERCURY, JUPITER and SATURN tables is done by means of a foot controlled frame located at the bottom of the table. To lift the table, push the frame in the direction of the head rest (B). To lower it, push the frame in the direction of the leg rest (A). The table will be lifted or lowered as long as the foot controller frame is kept in its leftmost or rightmost position. The actuator switches off automatically when it reaches its minimum or maximum position.

In the MERCURY, JUPITER and SATURN tables with hydraulic actuator the height adjuster can be installed in the lower frame and the foot pedal is connected to the actuator. In order to raise the bed to the desired height, the control pedal should be pressed cyclically in direction (B) until the desired height is reached. Leaving the lever is done by lifting the control lever towards (A). Leaving the bed is done as long as the lever of the control pedal is held. In the MERCURY CLASSIC table, the height adjustment is made by using the remote control.



**Picture 15 - Regulation elements of GALAXY massage table**

A - down                      B – up                      C - lock handle

- 1 - hole for the middle section traction supporter
- 2 - two holes for head section traction support (except for the CLASSIC model)



**Picture 16- Regulation elements of GALAXY massage table**

A – down                      B - up

### 6.3. Adjustment of the front (rear) section inclination/declination angle

#### CAUTION !



Before adjusting the table, the user should make sure that the patient is in a safe position.

#### CAUTION !



Do not insert your fingers into the gaps between the segments of the table, as this could trap them when lifting or regulating and the position of the table.

In order to change the inclination/declination angle of the front (rear) section of the table, pull the lock handle of the gas spring to disengage it (see pic. 15 – item C), set the required position of the section and release the handle to lock the spring again.

### 6.4. Adjusting Postural Drainage angle

#### CAUTION !



Before adjusting the table, make sure the patient is in a safe position.

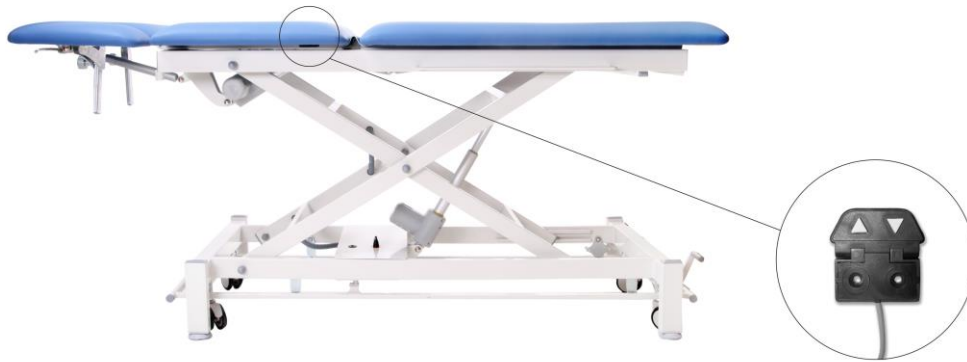
#### CAUTION !



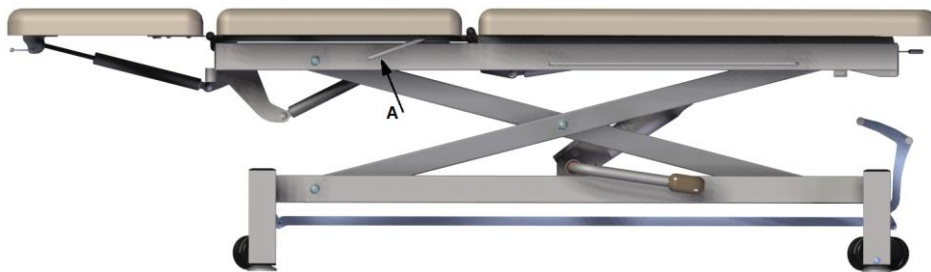
It is absolutely necessary to remove from the mounting holes in the front and middle sections of the table, before Using Postural Drainage, traction support.

In GALAXY SATURN model P3.Fx and P5.Fx there is a possibility of adjustment the Postural Drainage. It is done by means of an electric actuator (see pic. 17). This function is activated by using the DPA control panels located at the bottom of the middle section. Hold the left button on the DPA panel to raise the middle section of the bed. Lowering the middle part of the bed and returning to the starting position is done by holding down the right button on the DPA panel.

In GALAXY SATURN model P3.Fx-H and P5.Fx-H with the hydraulic system of height adjustment, it is possible to Postural Drainage adjustment, and this operation is carried out by means of gas springs. In order to adjust the middle section of the GALAXY table, release the gas spring lock by holding down the handle (see pic. 18 - position A), set the desired middle section position and lock the spring again by releasing the handle.



*Picture17- Postural Drainage adjustment in GALAXY massage table (version with height adjustment system)*



*Picture 18- GALAXY Postural Drainage adjustment in GALAXY massage table (version with hydraulic height adjustment system)*

## 6.5. Height adjustment of the sides in the headrest part

In the Galaxy type MERCURY model S4.Fx, S4.Fx-H, JUPITER S5.Fx, S5.Fx-H and SATURN model P5.Fx, P5.Fx-H there is a possibility of adjusting the height of the sides in the headrest part. To change the position of the sides, release the lock knob, set the desired height, and retighten the lock knob.

## 6.6. Moving the table



### CAUTION !

Before changing the location of the table, make sure that the mains plug of the power cord is removed from the AC outlet and protected against accidental damage during relocation.



### CAUTION !

It is forbidden to move the GALAXY table on the wheels with the patient.



### CAUTION !

Any manipulation of the position change lever WORK-TRANSPORT should be performed with the table without the patient.

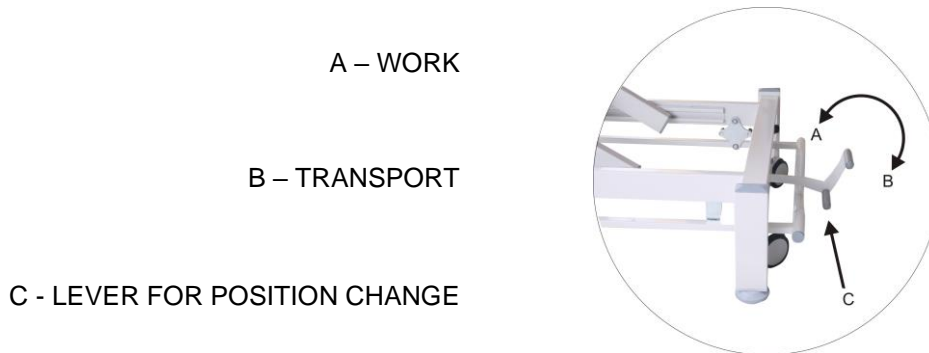
GALAXY massage table (with the F4 bottom frame) has a foot lever (see C in pic. 19) which can be



set in two positions:

- WORK (A) - with the table resting on its feet, which can be adjusted for leveling (by screwing the foot in and out – see section 6.1;
- TRANSPORT (B) - with the table resting on 4 castors enabling it to be transported.

Bottom frame type F0 has two feet at the headrest side and two wheels at the opposite side. The table can be moved about by lifting it by the headrest (be careful not to press the gas spring lever) and transporting the table using the two wheels.



Picture19 - Moving the GALAXY table with F4 frame type

## 6.7. Access lock (Not applicable to -H models)



### CAUTION !

Always remove the key from the lock before leaving the workstation, preventing unauthorized persons from starting the table control function. Then check it is locked, by testing the height movement of the table.

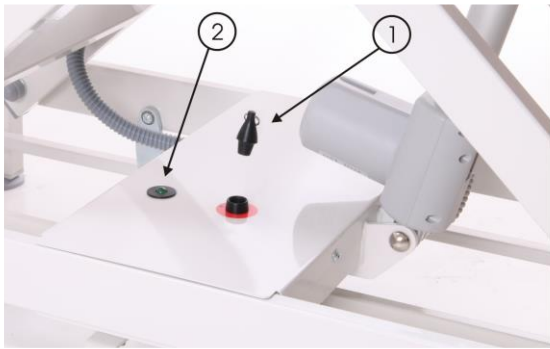


### CAUTION !

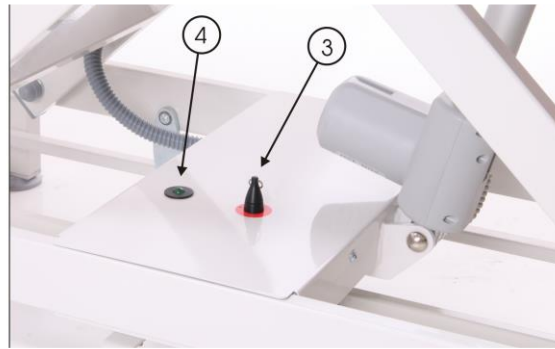
The Galaxy table with hydraulic height adjustment has only a push function, limiting the possibility of accidental compression.

GALAXY tables are equipped with a locking mechanism for access to the height adjustment function (see pic. 20). The adjustment function is locked when key ① is removed from slot ② and LED ③ flashes every 0.7 seconds. Height adjustment is possible when key ① is in slot ② and the LED ③ continuously lit.

In the MERCURY CLASSIC table (pic. 21) the lock is held by means of a key placed on the remote control. No key locks the height adjustment function of the table's bed.



**Locked**



**Active**

**Picture 20 – Operation of access lock mechanism**



**Blockade**

**Work**

**Picture 21 – Operation of access lock mechanism in CLASSIC model**

## 7. MAINTENANCE



### CAUTION !

We recommend cleaning and/or disinfecting the upholstered surfaces and other parts of the tables after each use to ensure proper hygiene level.



### CAUTION !

Before starting the cleaning of the table make sure that the electrical power supply cable has been disconnected from the supply in the room to prevent accidental movement of the table.



### CAUTION !

Estimated useful life of the device is 7 years. After 7 years starting from the device production (and its equipment), the manufacturer is not held accountable for any flaws of the device (and its equipment), as well as their consequences.

## 7.1. Cleaning the upholstery

Clean and maintain the upholstered surfaces in the following way:

- clean regularly with warm water and mild detergent (e.g. soap) solution; use soft cloth or sponge;
- rub the more heavily stained areas with a soft, damp brush;
- after cleaning, wipe dry with a soft cloth;
- in case the surface has been stained with ball pen ink, lipstick, printing ink etc., remove the stain immediately by rubbing it with a soft cloth.

Avoid extensive wetting of the surface of the table.

Disinfect the upholstery and other surfaces using the mild antibacterial detergent. A list of recommended disinfectants is available in the DJO on request.

Never use:

- cleaning paste, wax, sprays;
- strong detergents, solvents and cleaning agents containing solvents, cleaning preparations for natural leather.

Use of such preparations may cause stiffening and breakages of the cover material as well as adverse change of the glossy finish of the upholstery surface which is not covered by the warranty.

Disinfection with the use of the UV rays does not affect the surface of the upholstery.

## 7.2. Maintenance of the base and mechanical parts

Clean the metal parts with a soft, damp sponge. Wipe the parts dry immediately after cleaning. Do not use cleaning agents containing alcohol.

All movable joints must be lubricated every six months or when experiencing squeaks or other noise.

These joints include in particular:

- axles of transport wheels,
- actuator mounting shafts,
- boom arm sleeve bearing.

We recommend using any available aftermarket lubricants. Protect the upholstered parts from contact with the lubricants and remove any excess amounts or leaks of these with a dry cloth. Check the threaded joints periodically every six months and remove loose connections with a screwdriver, hex keys (no 4, 5, 6) and flat (10, 13 and 19 mm). Such connections are in particular:

- bolts attaching the boom arms with the lower and upper frame;
- mounting bolts that lift the wheel mechanism (F4);
- gas springs piston rod press bolts.

Report all loose connections that cannot be removed to the manufacturer's authorized service and stop using the table until the cause of the problem is removed.

### 7.3. Checking the gas springs

GALAXY tables are equipped with gas springs that adjust the front section angle (CLASSIC, -S2/S2-H, -S3/S3-H, -S4/S4-H, -S5/S5-H, -P3/P3-H, -P5/P5-H and E-S2/E-S2-H), middle section (P3-H and -P5-H) and rare section (-S3/S3-H, -S5/S5-H, -P3/P3-H and -P5/P5-H). To ensure proper performance of the gas springs check the springs visually for leaks every 3 months. Any perceived performance deficiency or leak must be reported to Meden-Inmed technical service immediately.

### 7.4. Checking the actuators

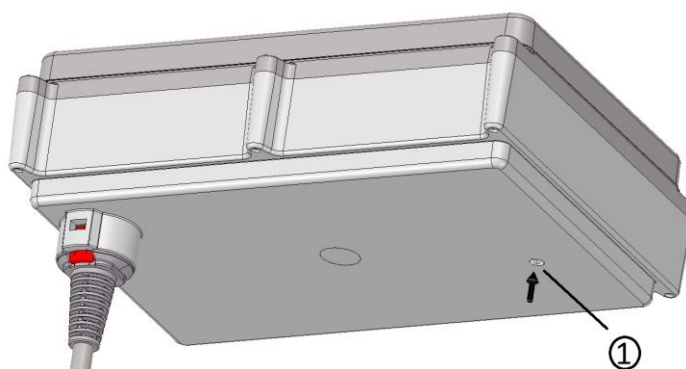
GALAXY tables are equipped with electric actuators with push function (spline) (does not apply to a table with a hydraulic height adjustment system), for height adjustment of the bed (CLASSIC, -S2, -S3, -S5, -P3, -P5 and E-S2) and for adjustment of the middle section angle (-P3, -P5). The electric actuators there should be inspected once every quarter for proper action and for sounds other than during normal operation, such as strokes, squeaks, scuffs. Any defects in the operation of the actuator should be reported immediately to DJO for technical service and operation of the table stopped until the cause of the fault has been removed.

### 7.5. Periodic check of electrical safety (not applicable to -H models)

The electrical safety check should be performed or ordered not less than once every 2 years, and each time after the breakdown/repair of the table/ table automation, the user's technical service must perform or commission a table review for electrical safety. The minimal scope of the review should include:

- checking if there was no mechanical damage of wiring system of the table;
- checking if there was no mechanical damage of actuators and control case;
- an examination of the height adjustment and pivot function switches;
- electrical safety tests should be performed according to PN-EN 62353.

Protective earth resistance should be performed at the point ①, shown in Fig. 10.



Picture 22 – Measuring point of the earth resistance

## 8.0. TROUBLESHOOTING

Failure indication	Possible cause	Action to be taken
The adjustment mechanism does not work - the LED is off	off	If necessary, take the patient from the table with the user's help. To restart the controller, remove the mains plug from the mains electrical outlet in the room and the access lock from the socket and wait for a minimum 1h. Then connect the table to the mains socket and if the LED is on, you can start working with the table.
	Disconnected power cord	Check if the power cord is plugged into the power supply socket of the controller and the AC outlet
Control mechanism interrupts operation - LED is on	Exceeded safe working load	Reduce the load on the table

If fault symptoms persist, stop using the table, unplug the power cord, remove the lock and contact the supplier or the manufacturer.

## 9.0. Electromagnetic compatibility – Guidance and manufacturer's declaration

Essential Performance - there are no essential performance characteristics according to the risk assessment.

*\*Table GALAXY*

Guidance and manufacturer's declaration – electromagnetic emissions		
The equipment* is intended for use in the electromagnetic environment specified below. The customer or the user of the equipment* should assure that it is used in such an environment.		
Emissions test	Compliance	Electromagnetic environment – guidance
RF emissions CISPR 11	Group 1	The equipment* uses RF energy only for its internal function. Therefore, its RF emissions are very low and are not likely to cause any interference in nearby electronic equipment.
RF emissions CISPR 11	Class A	The equipment* is suitable for use in all establishments other than domestic and those directly connected to the public low-voltage power supply network that supplies buildings used for domestic purposes.
Harmonic emissions IEC 61000-3-2	Class A	
Voltage fluctuations/ flicker emissions IEC 61000-3-3	Complies	

WARNING: Use of this equipment adjacent to or stacked with other equipment should be avoided because it could result in improper operation. If such use is necessary, this equipment and the other equipment should be observed to verify that they are operating normally.

WARNING: Use of accessories, transducers and cables other than those specified or provided by the manufacturer of this equipment could result in increased electromagnetic emissions or decreased electromagnetic immunity of this equipment and result in improper operation.

WARNING: The EMISSIONS characteristics of this equipment make it suitable for use in industrial areas and hospitals (CISPR 11 class A). If it is used in a residential environment (for which CISPR 11 class B is normally required) this equipment might not offer adequate protection to radio-frequency communication services. The user might need to take mitigation measures, such as relocating or re-orienting the equipment.

WARNING: Device may be susceptible to electromagnetic disturbances, but Basic Safety and Essential Performance are maintained.

<b>Guidance and manufacturer's declaration – electromagnetic immunity</b>			
The equipment* is intended for use in the electromagnetic environment specified below. The customer or the user of the equipment* should assure that it is used in such an environment.			
<b>IMMUNITY test</b>	<b>IEC 60601 test level</b>	<b>Compliance level</b>	<b>Electromagnetic environment – guidance</b>
Electrostatic discharge (ESD) IEC 61000-4-2	± 8 kV (contact) ± 2/4/8/15 kV (air)	± 8 kV (contact) ± 2/4/8/15 kV (air)	Floors should be wood, concrete or ceramic tile. If floors are covered with synthetic material, the relative humidity should be at least 30 %.
Electrical fast transient/burst IEC 61000-4-4	±2 kV for power supply lines 100 kHz	±2 kV for power supply lines 100 kHz	Mains power quality should be that of a typical commercial or hospital environment.
Surge IEC 61000-4-5	± 1 kV line(s) to line(s) ± 2 kV line(s) to earth	± 1 kV line(s) to line(s) ± 2 kV line(s) to earth	Mains power quality should be that of a typical commercial or hospital environment.
Voltage dips, short interruptions and voltage variations on power supply input lines IEC 61000-4-11	0 % U <sub>T</sub> ; 0,5 cycle at 0°, 45°, 90°, 135°, 180°, 225°, 270° and 315°  0 % U <sub>T</sub> ; 1 cycle and 70 % U <sub>T</sub> ; 25/30 cycles (50/60Hz) 1 phase: at 0°  0 % U <sub>T</sub> ; 250/300 cycles (50/60Hz)	0 % U <sub>T</sub> ; 0,5 cycle at 0°, 45°, 90°, 135°, 180°, 225°, 270° and 315°  0 % U <sub>T</sub> ; 1 cycle and 70 % U <sub>T</sub> ; 25/30 cycles (50/60Hz) 1 phase: at 0°  0 % U <sub>T</sub> ; 250/300 cycles (50/60Hz)	Mains power quality should be that of a typical commercial or hospital environment. If the user of the equipment* requires continued operation during power mains interruptions, it is recommended that the equipment* be powered from an uninterruptible power supply or a battery.

Power frequency (50/60 Hz) magnetic field IEC 61000-4-8	30 A/m	30 A/m	Power frequency magnetic fields should be at levels characteristic of a typical location in a typical commercial or hospital environment.
--	--------	--------	---

NOTE  $U_T$  is the a.c. mains voltage prior to application of the test level.

**Guidance and manufacturer's declaration – electromagnetic immunity**

The equipment\* is intended for use in the electromagnetic environment specified below. The customer or the user of the equipment\* should assure that it is used in such an environment.

<b>IMMUNITY test</b>	<b>IEC 60601 TEST LEVEL</b>	<b>Compliance level</b>	<b>Electromagnetic environment – guidance</b>
Conducted RF IEC 61000-4-6	3 V 0,15 MHz – 80 MHz 6 V in ISM bands between 0,15 MHz and 80 MHz 80 % AM at 1 kHz	3 V 0,15 MHz – 80 MHz 6 V in ISM bands between 0,15 MHz and 80 MHz 80 % AM at 1 kHz	<p>WARNING: Portable RF communications equipment (including peripherals such as antenna cables and external antennas) should be used no closer than 30 cm (12 inches) to any part of the equipment*, including cables specified by the manufacturer. Otherwise, degradation of the performance of this equipment could result.</p> <p>These guidelines may not apply in all situations. Electromagnetic propagation is affected by absorption and reflection from structures, objects and people.</p>
Radiated RF IEC 61000-4-3	3 V/m 80MHz do 2,7GHz	3 V/m 80MHz do 2,7GHz	
Proximity fields from RF wireless communications equipment IEC 61000-4-3	EN 60601-1-2:2015, Table 9  <input checked="" type="checkbox"/> <i>Professional healthcare facility environment</i>	Complies  <input checked="" type="checkbox"/> <i>Professional healthcare facility environment</i>	

## 10. WARRANTY CARD

1. DJO Global provides a 24-month warranty on the delivered product and a 12-month warranty on its upholstered parts, starting from the date of original consumer purchase, as indicated in a proof of purchase.
2. Under the guarantee granted, DJO Global is responsible for the quantitative and qualitative defects found immediately after unpacking the subject of the contract at the customer. The consignee shall, within 2 working days, inform in writing of any defects.
3. Only DJO Global is authorized to provide warranty service, or service centers authorized by DJO Global
4. A repair time exceeding 3 days, regardless of the reason that caused the delay, shall result in the extension of the warranty period by a time that is equivalent to the total time during which the device was out of order.
5. In case a subassembly that breaks down has already been repaired twice, the manufacturer shall be obliged to replace a faulty subassembly with a new one.
6. All defective components / parts replaced during warranty repair become the property of the service.
7. The user is obliged to ensure that both the equipment and its supply systems are regularly maintained; failure to comply with this requirement may result in loss of the user's warranty rights.
8. The warranty excludes defects resulting from natural wear of components, ie wear that is not a result of defects in material or workmanship, and also excludes damage due to lack of maintenance (eg bearings, guides, etc.).
9. The warranty does not cover consumable materials and components (eg gaskets, cables, etc.).
10. DJO Global is not responsible for the safety of the user or the patient during the operation of the installed equipment in case of failure to comply with the supplied installation and operating instructions.
11. User bears the risk of using the equipment covered by the warranty. The warranty does not cover the loss of expected benefits and costs incurred due to the use or inability to use this equipment.
12. Any defect during the warranty period not reported by the user in writing (letter, fax, e-mail) is not covered by the warranty.
13. The costs incurred by unreasonable failure notification are the responsibility of the user.
14. The warranty shall not cover equipment:
  - with name plate and/or serial number or factory seals removed or damaged;
  - damaged due to its use in a manner other than defined in the operation manual;
  - where repairs or modifications have been done by unauthorized personnel;
  - damaged mechanically due to improper handling;-
  - damaged due to force majeure;
15. If the equipment covered by the warranty has been re-sold, there will be no new warranty document issued.
16. No duplicate warranty document will be issued.
17. This warranty, in the case of consumer sales, does not exclude, limit or suspend the buyer's rights resulting from the non-conformity of the goods with the sales contract.

<b>CLASSIC</b>	<b>-S2</b>	<b>-S3</b>	<b>-S4</b>	<b>-S5</b>	<b>-P3</b>	<b>-P5</b>	<b>E-S2</b>	<b>.F0</b>	<b>.F4</b>	<b>-H</b>	<i>Date, signature and warranty stamp:</i>
<b>GALAXY message table</b>	<b>SN:</b>					-					



Repairs Registry	Users Notes